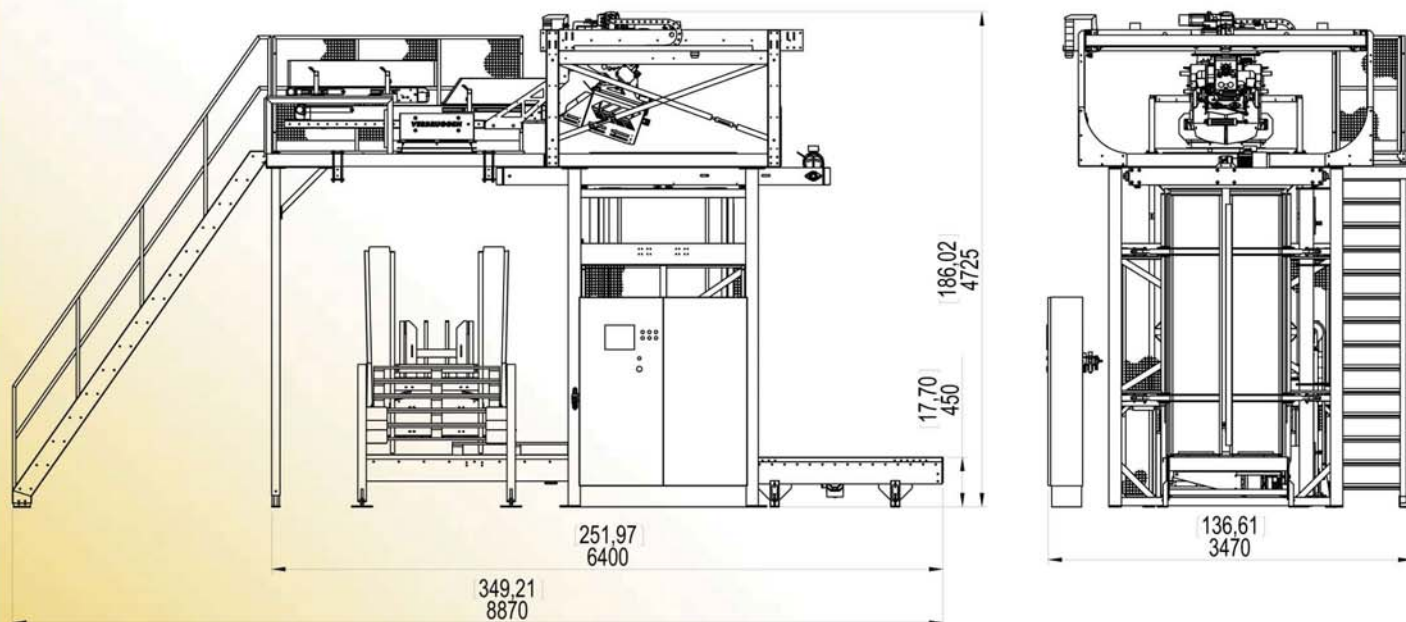


# VPM1000

Fully Automatic Palletizer



## Dimensions



Units = mm [ inch ]

## Specifications

### VPM1000

#### Capacity

20 bags/min.  
(Definition max. capacity: 25 kg bags, pallet size 1000 mm x 1200 mm)

#### Pallet sizes

1200 x 1000 mm (standard EU)  
1200 x 800 mm (optional EU)  
1165 x 1165 mm (Australia)  
48 x 40" (standard USA)  
60 x 48" (optional USA)

(Note: Pallet sizes available depend on the continent of location. A combination of pallet sizes for your location is possible on demand.)

#### Suitable for bag sizes

5 – 25 kg (ca. 320 mm x 520 mm – ca. 520 mm x 800 mm)

#### Pallet infeed/outfeed

Automatic

#### Stacking height

2500 mm

#### Formation doors

Yes

#### Stacking bin

4-sided closed

#### Control system

PLC with touch screen

#### Air consumption

Minimum working pressure: 87 PSI  
Average consumption: 15 l/min. at 116 PSI

#### Main power

3 x 230 VAC 50 Hz  
3 x 230 VAC 60 Hz (USA)

#### Fuse

3 x 50 A

#### Safety

Equipped with emergency stop circuit, full screening, infeed and outfeed equipped with walk-in protection using light screens.

#### Options

- Automatically adjustable stacking bin and collar for stacking optional pallet sizes.
- Soft landing on formation doors.
- Push collar (pneumatic or electric).



ING-Tech Corporation  
5525 Erindale Dr. Suite 217  
Colorado Springs, CO 80918  
719-599-4044  
719-599-4013 (fax)  
www.producepackagingitc.com